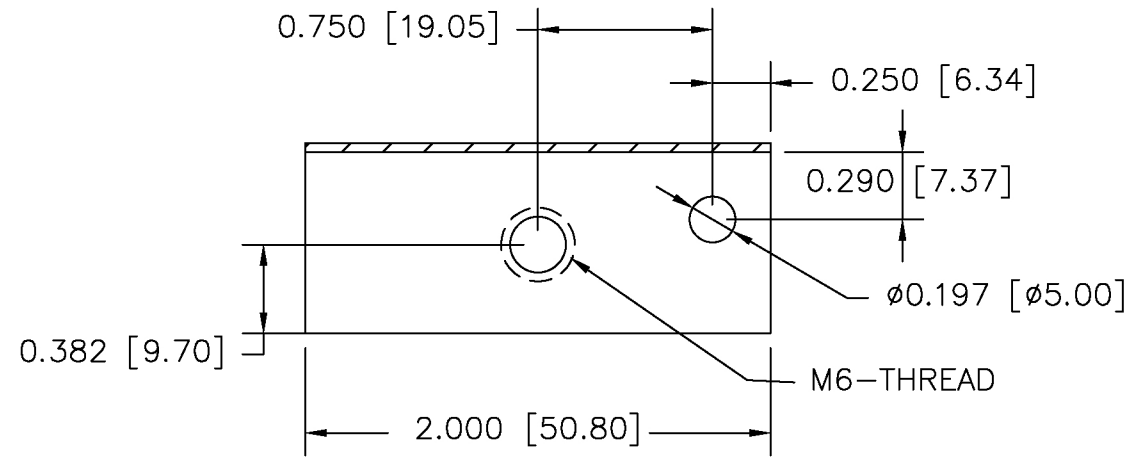


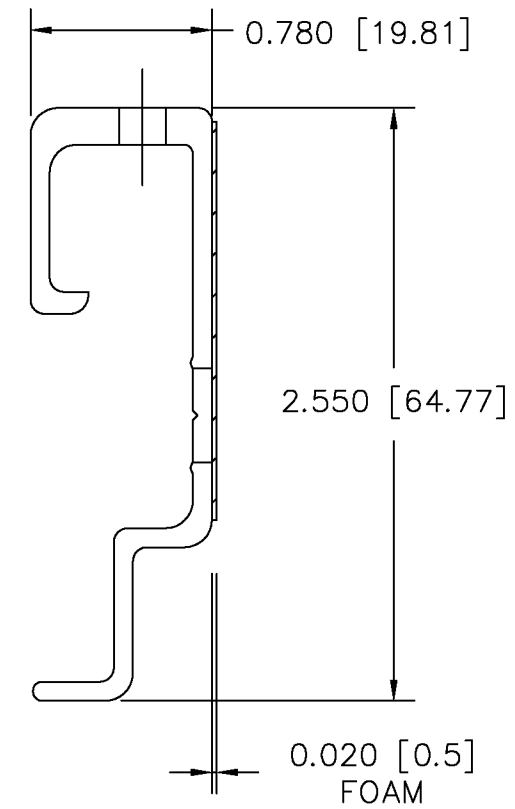
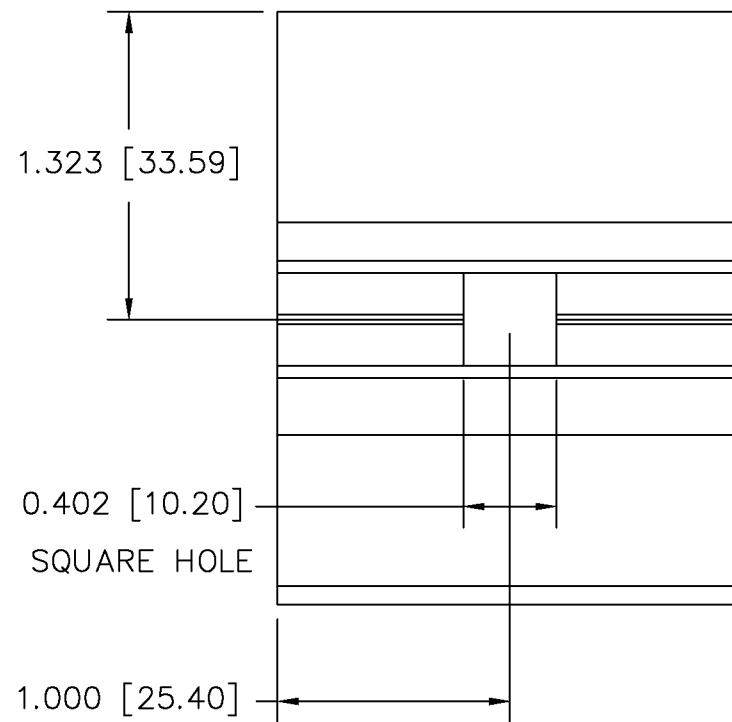
P/N: V-T-10-20A



VERA FACADE SYSTEMS INC.
14950 OLD US41 UNIT 4
Naples, FL 34110



M6 THREAD (SHOWN)
ON ADJUSTABLE
CLIP ONLY



PROPRIETARY INFORMATION

THIS DOCUMENT AND ALL INFORMATION CONTAINED HEREON IS THE PROPERTY OF VERA FACADE SYSTEMS AND SHALL NOT BE DIVULGED, REPRODUCED, OR COPIED IN FULL OR IN PART WITHOUT WRITTEN PERMISSION OF VERA FACADE SYSTEMS.

| | | | | | | |
|---------------|----------------|--|----------|---|----------|-----|
| MADE BY E.D. | FILE NO. | LAYER: | REVISION | DESCRIPTION | DATE | APP |
| | EFFECTIVE DATE | UNLESS OTHERWISE SPECIFIED XXX ±005 ANGLES ±1/2° XX ±010 X ±030 | R | RELEASED | | |
| APPROVED BY | | | A | ADDED .197 DIA. & M6-THREADS & RESIZE SQUARE HOLE WAS 10.31 | 03/19/24 | |
| DATE 11/01/23 | | | | | | |