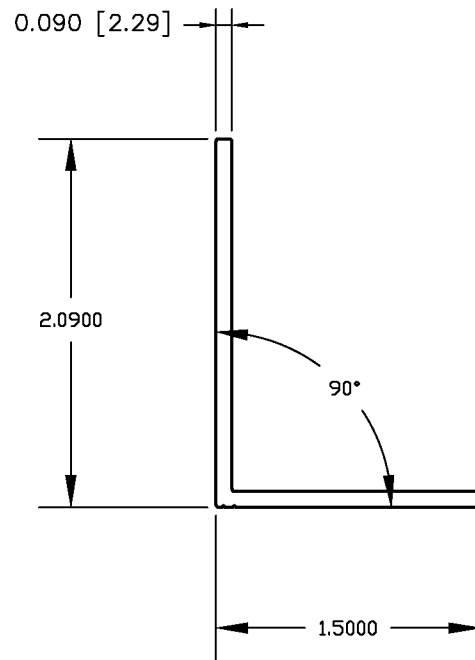


P/N: V-LR-25



VERA FACADE SYSTEMS INC.  
 14950 OLD US41 UNIT 4  
 Naples, FL 34110

### PROFILE DRAWING



WT/FT: .378

**PROPRIETARY INFORMATION**  
 THIS DOCUMENT AND ALL INFORMATION CONTAINED HEREON IS THE PROPERTY OF  
 VERA FACADE SYSTEMS AND SHALL NOT BE DIVULGED, REPRODUCED, OR COPIED IN  
 FULL OR IN PART WITHOUT WRITTEN PERMISSION OF VERA FACADE SYSTEMS.

MADE BY	FILE NO.	LAYER:	REVISION	DESCRIPTION	DATE	APP
E.D.			R	RELEASED		
APPROVED BY	EFFECTIVE DATE	UNLESS OTHERWISE SPECIFIED XXX ±005 ANGLES ±1/2' XX ±010 X ±030				
DATE 11/01/23						