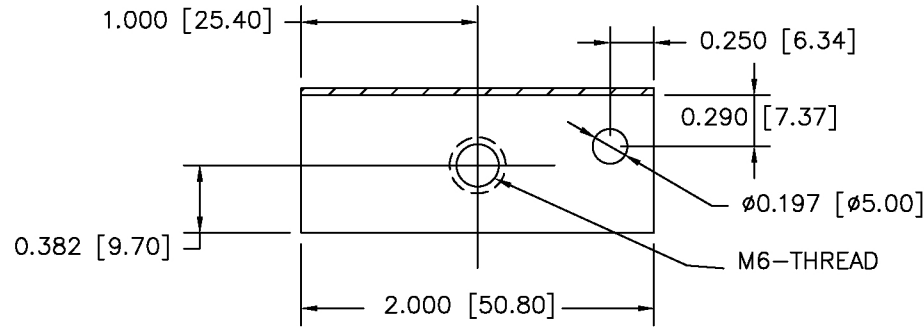


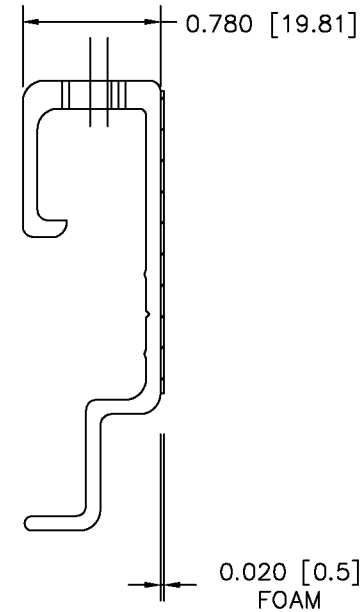
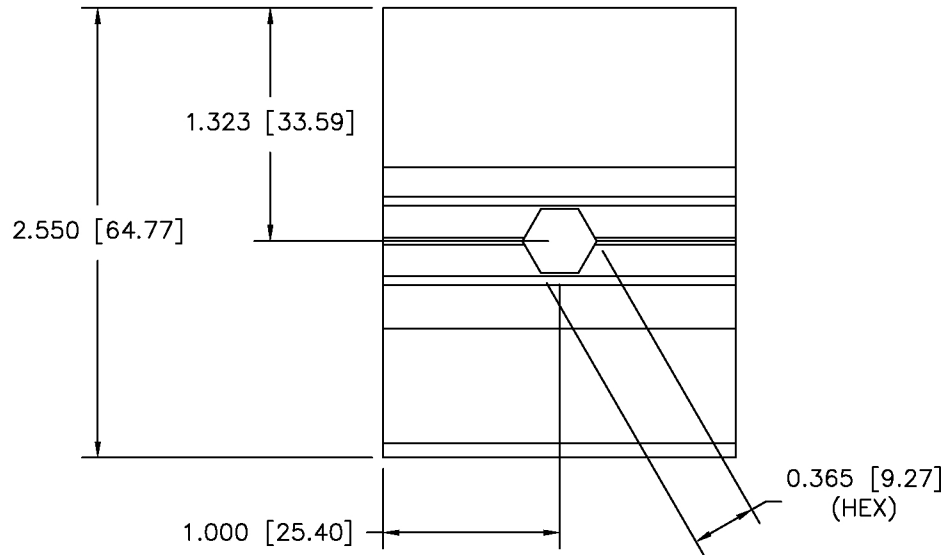
P/N: V-K-02-20A



VERA FACADE SYSTEMS INC.
14950 OLD US41 UNIT 4
Naples, FL 34110



M6 THREAD (SHOWN)
ON ADJUSTABLE
CLIP ONLY



PROPRIETARY INFORMATION
THIS DOCUMENT AND ALL INFORMATION CONTAINED HEREON IS THE PROPERTY OF
VERA FACADE SYSTEMS AND SHALL NOT BE DIVULGED, REPRODUCED, OR COPIED IN
FULL OR IN PART WITHOUT WRITTEN PERMISSION OF VERA FACADE SYSTEMS.

MADE BY E.D.	FILE NO.	LAYER:	REVISION	DESCRIPTION	DATE	APP
	APPROVED BY	EFFECTIVE DATE	R	RELEASED		
DATE 11/01/23		UNLESS OTHERWISE SPECIFIED XXX ±005 ANGLES ±1/2' XX ±010 X ±030	A	ADDED .197 DIA. & WAS (2) M6-THREADS	03/09/24	