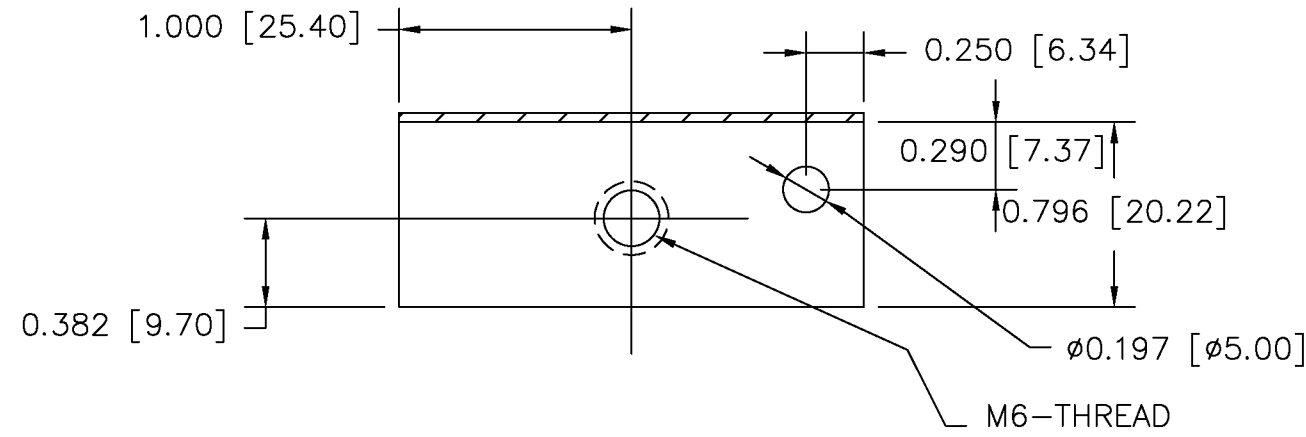


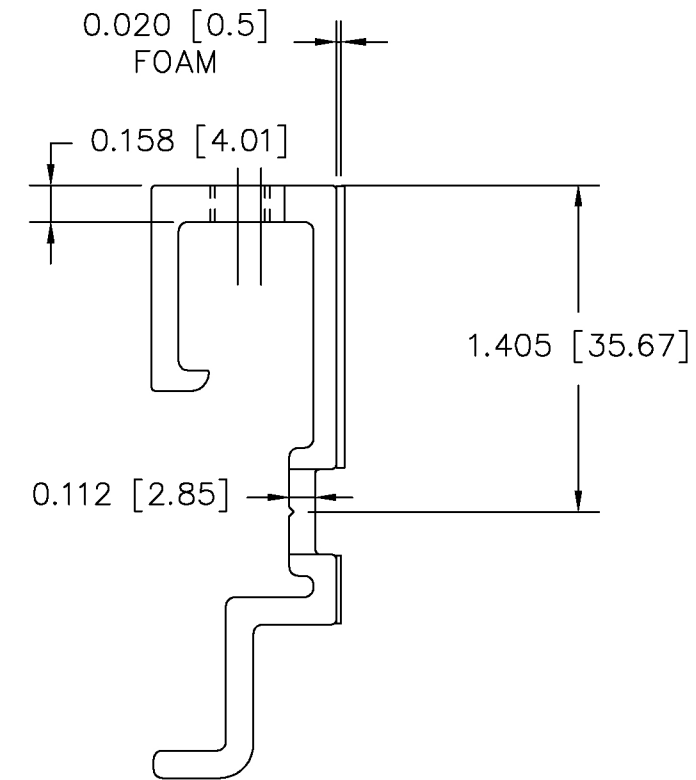
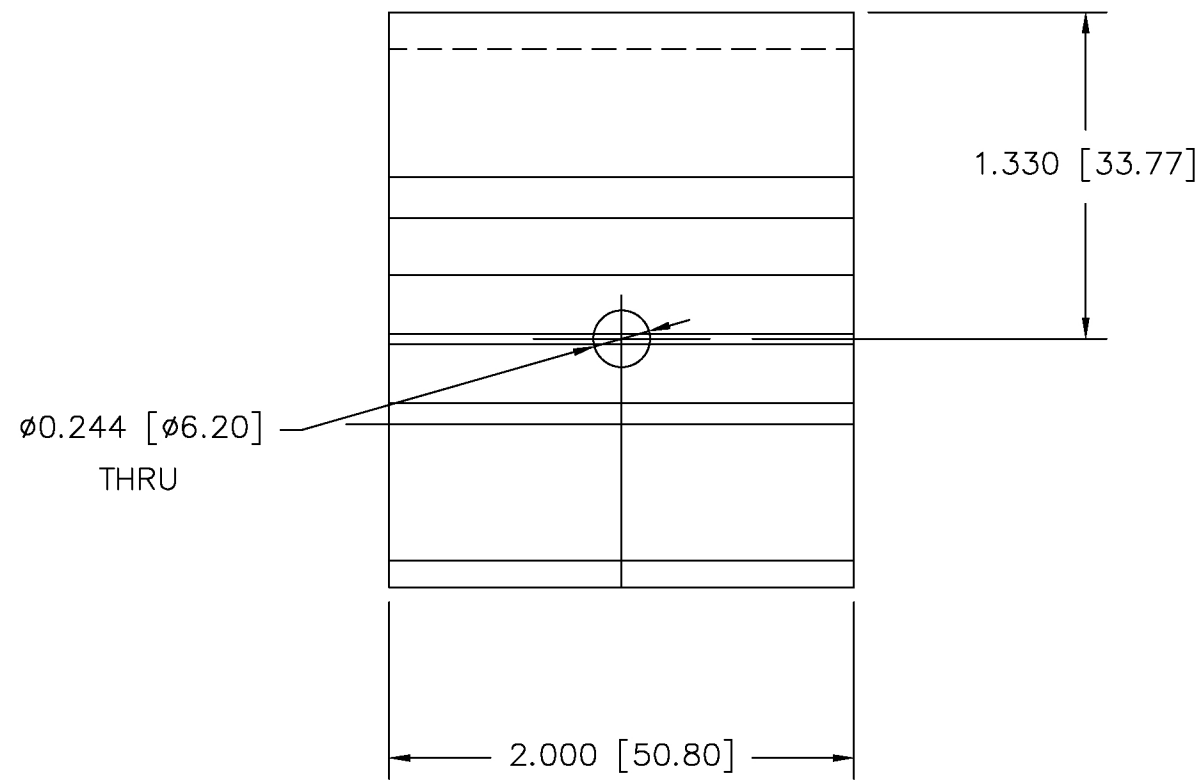
P/N: V-K-01-20A



VERA FACADE SYSTEMS INC.
14950 OLD US41 UNIT 4
Naples, FL 34110



M6 THREAD (SHOWN)
ON ADJUSTABLE
CLIP ONLY



PROPRIETARY INFORMATION

THIS DOCUMENT AND ALL INFORMATION CONTAINED HEREON IS THE PROPERTY OF VERA FACADE SYSTEMS AND SHALL NOT BE DIVULGED, REPRODUCED, OR COPIED IN FULL OR IN PART WITHOUT WRITTEN PERMISSION OF VERA FACADE SYSTEMS.

PRODUCT DRAWING

MADE BY E.D.	FILE NO.	LAYER:	REVISION	DESCRIPTION	DATE	APP
	EFFECTIVE DATE	UNLESS OTHERWISE SPECIFIED XXX ±005 ANGLES ±1/2° XX ±010 X ±030	R	RELEASED		
APPROVED BY			A	ADDED .197 DIA. & WAS (2) M6-THREADS	03/09/24	
DATE 11/01/23						