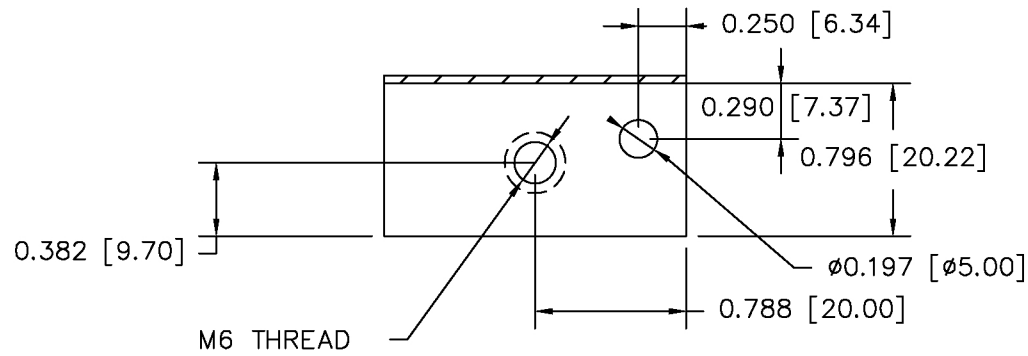


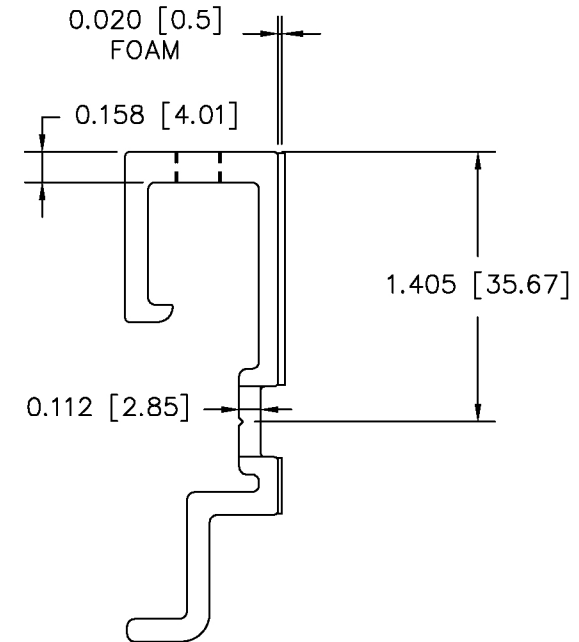
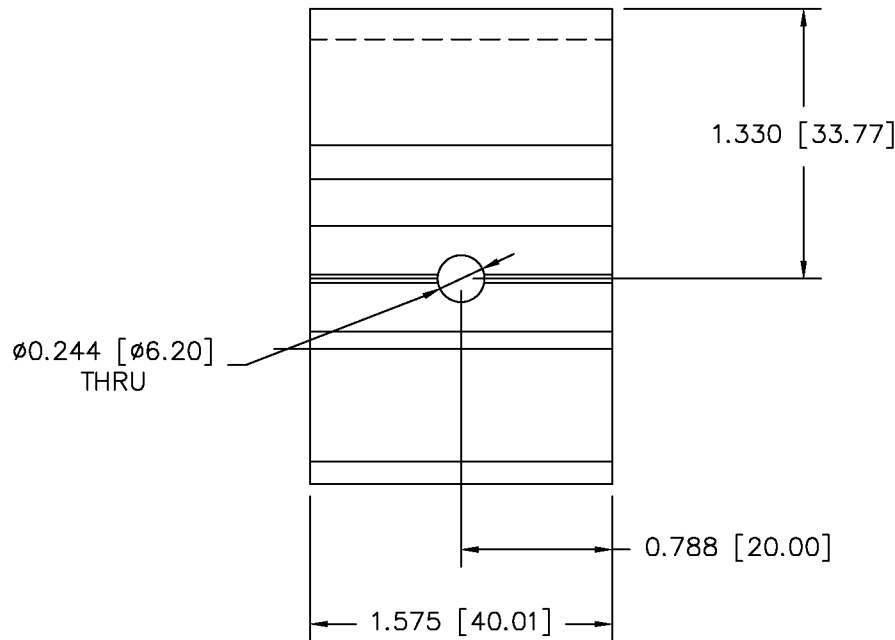
P/N: V-K-01-15A



VERA FACADE SYSTEMS INC.  
14950 OLD US41 UNIT 4  
Naples, FL 34110



M6 THREAD (SHOWN)  
ON ADJUSTABLE  
CLIP ONLY



**PROPRIETARY INFORMATION**

THIS DOCUMENT AND ALL INFORMATION CONTAINED HEREON IS THE PROPERTY OF VERA FACADE SYSTEMS AND SHALL NOT BE DIVULGED, REPRODUCED, OR COPIED IN FULL OR IN PART WITHOUT WRITTEN PERMISSION OF VERA FACADE SYSTEMS.

PRODUCT DRAWING

MADE BY	FILE NO.	LAYER:	REVISION	DESCRIPTION	DATE	APP
E.D.			R	RELEASED		
APPROVED BY	EFFECTIVE DATE	UNLESS OTHERWISE SPECIFIED XXX ±005 ANGLES ±1/2' XX ±010 X ±030	A	ADDED .197 DIA.	03/09/24	
DATE 11/01/23						