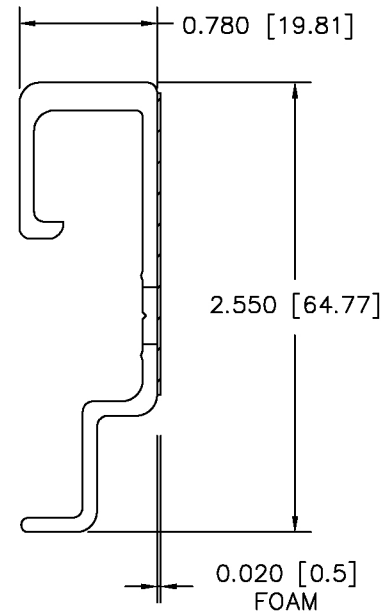
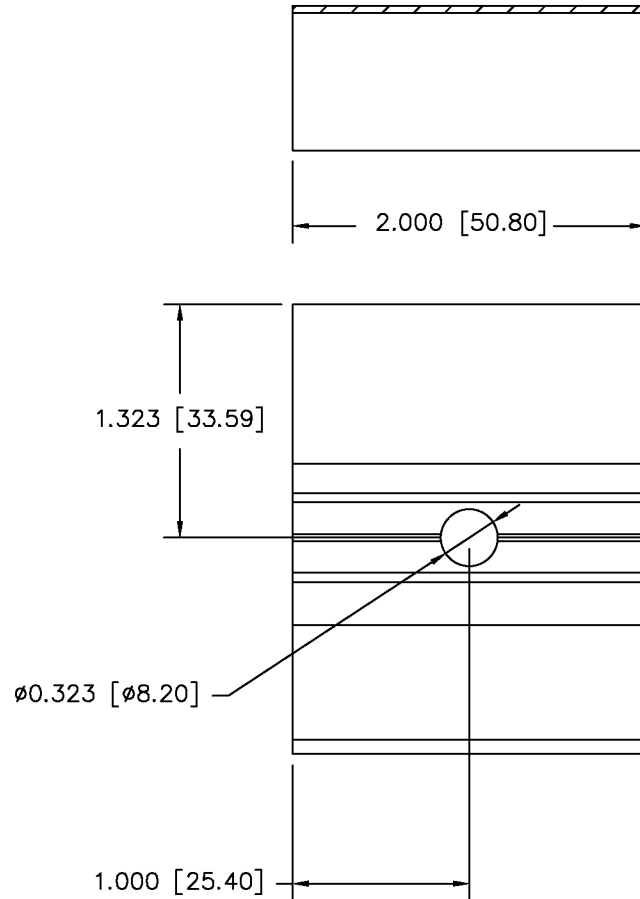


P/N: V-F-82-20R



VERA FACADE SYSTEMS INC.
14950 OLD US41 UNIT 4
Naples, FL 34110



PROPRIETARY INFORMATION
THIS DOCUMENT AND ALL INFORMATION CONTAINED HEREON IS THE PROPERTY OF
VERA FACADE SYSTEMS AND SHALL NOT BE DIVULGED, REPRODUCED, OR COPIED IN
FULL OR IN PART WITHOUT WRITTEN PERMISSION OF VERA FACADE SYSTEMS.

MADE BY E.D.	FILE NO.	LAYER:	REVISION	DESCRIPTION	DATE	APP
	EFFECTIVE DATE	UNLESS OTHERWISE SPECIFIED XXX ±005 ANGLES ±1/2' XX ±010 X ±030	R A	RELEASED ADDED .197 DIA. & M6-THREADS	03/14/24	
APPROVED BY						
DATE 11/01/23						